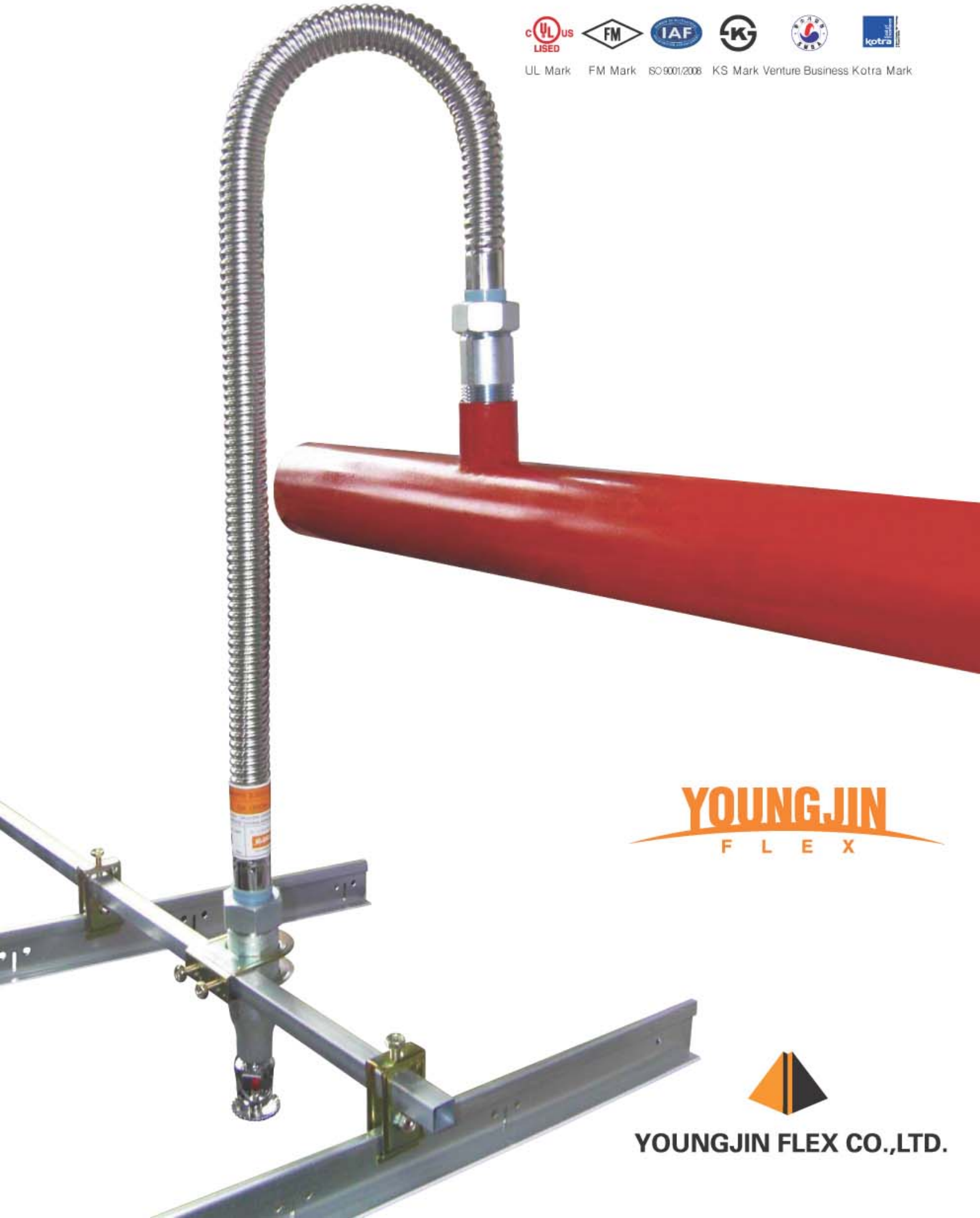


# YoungJin Flexible Sprinkler Hose



UL Mark FM Mark ISO9001/2008 KS Mark Venture Business Kotra Mark



**YOUNGJIN**  
FLEX



**YOUNGJIN FLEX CO.,LTD.**

## Flexible Sprinkler Hose

The flexible sprinkler hose is a material of fire fighting equipment for the initial-attack of a fire. In a sprinkler system, this flexible hose links fire protection piping to the sprinkler head.

1. Economic efficiency: Cost reduction in labor and other costs.
2. Convenient construction: The product's great flexibility enhances field-adaptability.
3. Excellent corrosion resistance: The corrugated tube is made of stainless steel.

Perfect insulation between parts completely eliminates defective factors.

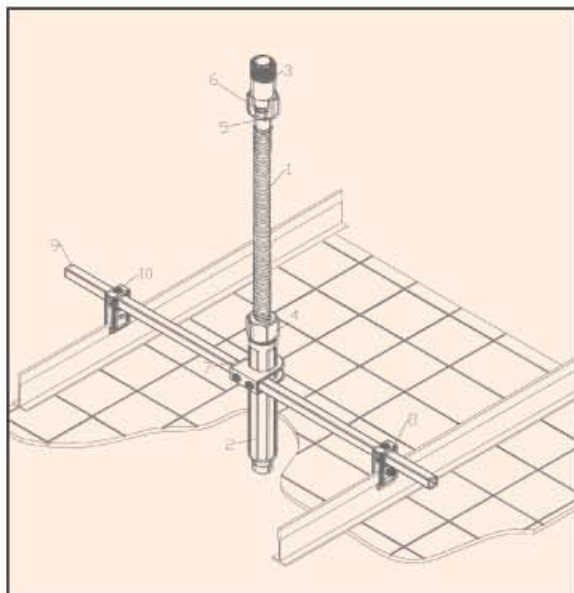
4. Excellence in quality: KFI Test passed, UL & FM certified.

The brand is assured by KOTRA. Developed by the company's R&D center with 20-year Know-how, the product delivers good performance.

Model	Non.Inlet outed Size(in)	Asenbly length(mm)	Max No. of 90 Degree bends	Equivalent Length of 1 in.Schedule 40 steel pipe
TKF-32S- 700	1×1/2	700	1	26
TKF-32S- 1000	1×1/2	1000	1	36
TKF-32S- 1200	1×1/2	1200	3	67
TKF-32S- 1500	1×1/2	1500	3	84
TKF-32S- 1800	1×1/2	1800	3	101
TKF-32S- 700	1×3/4	700	1	32
TKF-32S- 1000	1×3/4	1000	1	42
TKF-32S- 1200	1×3/4	1200	3	73
TKF-32S- 1500	1×3/4	1500	3	77
TKF-32S- 1800	1×3/4	1800	3	105



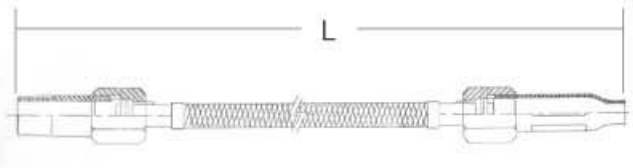
### ● Product installation drawing



- Max. Pressure : 14 Kgf/cm<sup>2</sup>
- Test Pressure : 21 Kgf/cm<sup>2</sup>

Item No	Description	Material
1	Flexible Tube	STS304
2	Reducer	SPHT2
3	Nipple	SPHT2
4	Nut	SWRM6K
5	Isolation Ring	Polyamide6
6	O-Ring	NBR or EPDM
7	Bracket L	SPCC
8	Bracket S	SPCC
9	Square Bar	SGCC
10	Bolt	SWCH 10A

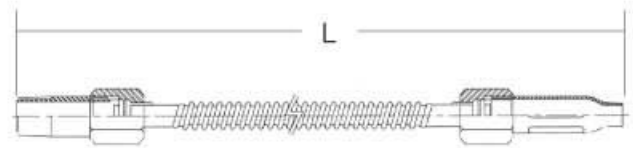
### ● YJ27-SB T type



Model	YJ27-SB-700	YJ27-SB-1000	YJ27-SB-1200	YJ27-SB-1500	YJ27-SB-1800
Length	700 mm	1000 mm	1200 mm	1500 mm	1800 mm

● Standard outside order production

### ● T KF-32S T type



Model	TKF-32S-700	TKF-32S-1000	TKF-32S-1200	TKF-32S-1500	TKF-32S-1800
Length	700 mm	1000 mm	1200 mm	1500 mm	1800 mm

● Standard outside order production

### ● SPECIFICATION

- Inlet : 1" PT or 1" NPT
- Outlet : 1/2" (3/4") PT or 1/2" (3/4") NPT
- System : Dry & Wet System
- Square Bar : 700mm~1500mm

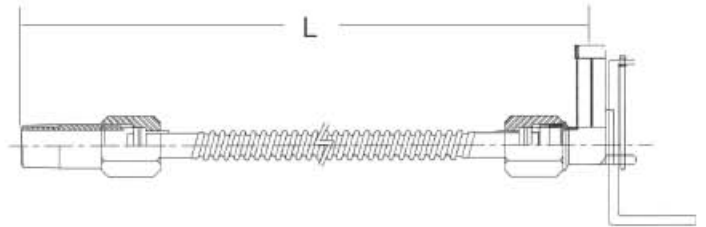


### ● Accessories





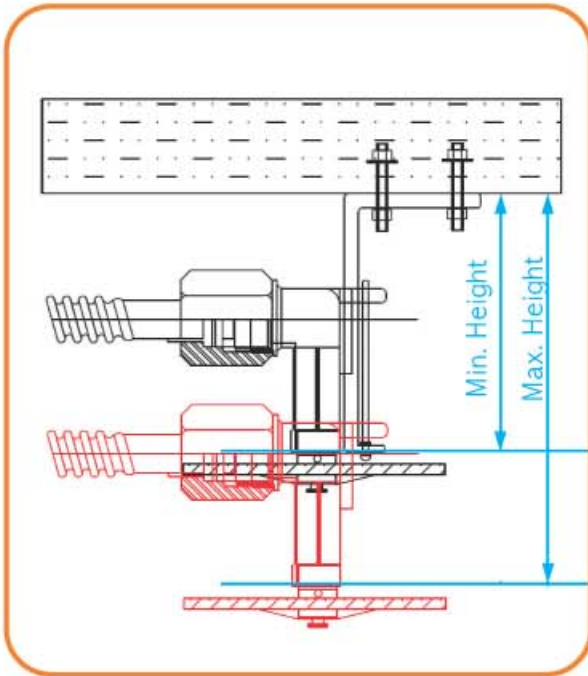
● T K-SPJ-A T ype



Model	TK-SPJ-A500	TK-SPJ-A700	TK-SPJ-A1000	TK-SPJ-A1200	TK-SPJ-A1500	TK-SPJ-A1800	TK-SPJ-A2000	TK-SPJ-A2500	TK-SPJ-A3000
Length	500mm	700mm	1000mm	1200mm	1500mm	1800mm	2000mm	2500mm	3000mm

● Standard outside order production

● APT T ype Bracket Installation Instruction



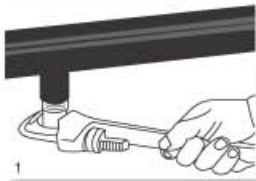
● SPECIFICAT ION

- Inlet : 1" PT or W/D Type
- Outlet : 1/2" PT
- System : Dry & Wet System
- Max. Pressure : 14Kgf/cm<sup>2</sup>

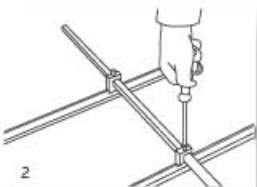
● H EIGHT ADJUST MENT RANGE OF T H E BRACKET FOR APART MENT

Bracket Length	Standstd	A	B	C	D	E	F
Brass Elbow	Min. height	80mm	100mm	120mm	150mm	180mm	200mm
	Max. height	110mm	130mm	150mm	180mm	210mm	230mm
A105 Elbow	Min. height	80mm	100mm	120mm	150mm	180mm	200mm
	Max. height	135mm	155mm	175mm	205mm	235mm	255mm

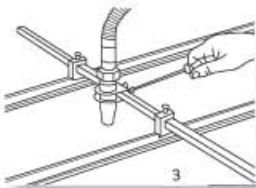
# Installation



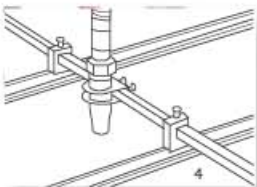
- 1 ▶ Connect the nipple to the water branch line. Connect sprinkler flexible hose to nipple. Apply an aerobic pipe joint compound or Teflon tape to the branch line threads of the nipple. Secure firmly with pipe wrench for leak proof connection (Main Pipe+Nipple torque:850 900Kg.cm Nut+Nipple Nut+Reducer Torque:290Kg.cm).



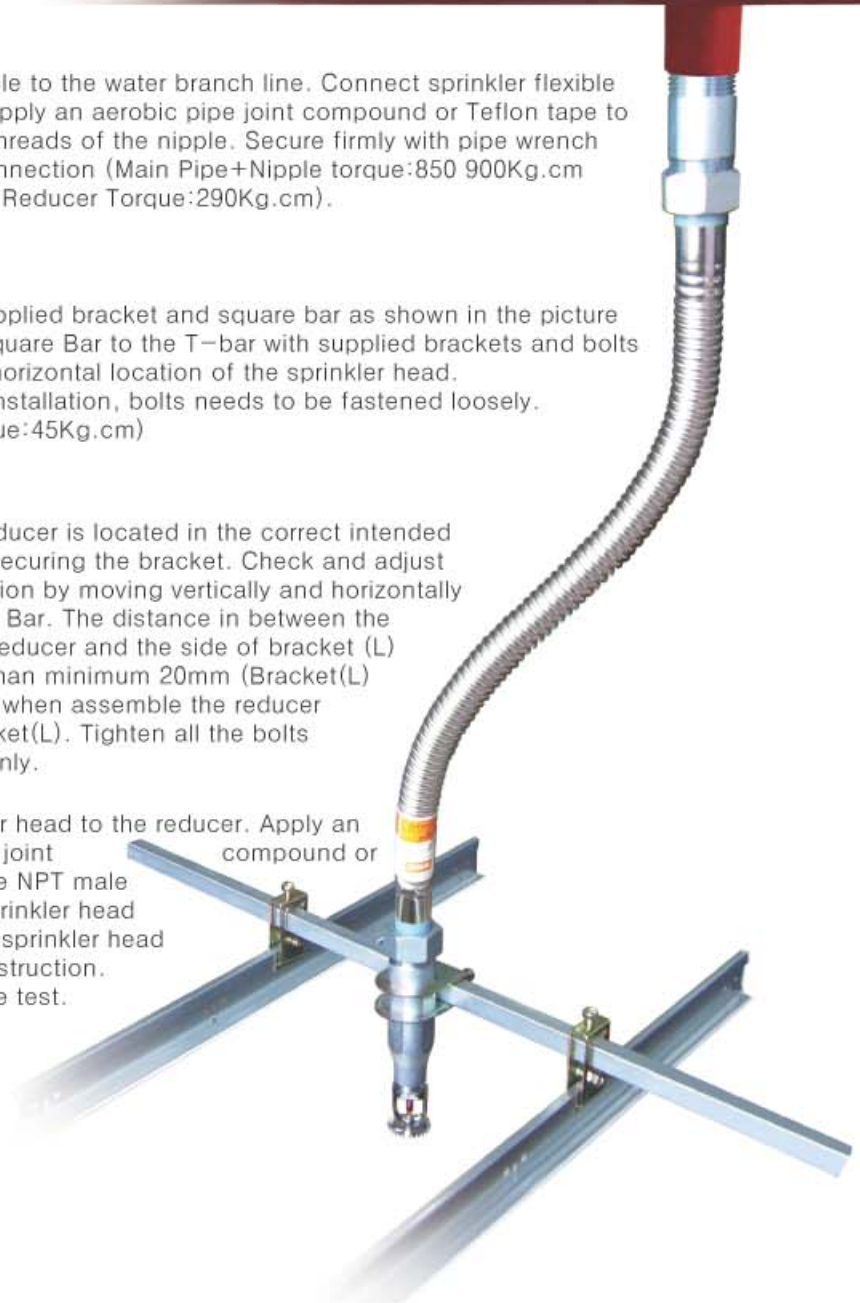
- 2 ▶ Assemble the supplied bracket and square bar as shown in the picture and attach the square Bar to the T-bar with supplied brackets and bolts considering the horizontal location of the sprinkler head. At this stage of installation, bolts needs to be fastened loosely. (bracket(S) Torque:45Kg.cm)



- 3 ▶ Verify that the reducer is located in the correct intended position before securing the bracket. Check and adjust the reducer position by moving vertically and horizontally along the square Bar. The distance in between the end of spiral of reducer and the side of bracket (L) shall keep over than minimum 20mm (Bracket(L) torque:65Kg.cm)when assemble the reducer through the bracket(L). Tighten all the bolts securely and evenly.



- 4 ▶ Connect sprinkler head to the reducer. Apply an un-aerobic pipe joint compound or Teflon taps to the NPT male threads of the sprinkler head according to the sprinkler head manufacture's instruction. Conduct pressure test.



## ● Product Test



Leak Test



Salt Spray Test



Bending Test



Fatigue & Vibration Test



Pressure Stress Test



Pressure & Cycling Test



## YOUNGJIN FLEX CO.,LTD.

**H Q & Factory** : 503, 1Da Sihwa Industrial Complex, 1251-2, Jeongwang-Dong  
Siheung-City, Gyeonggi-Do, Korea.

TEL : +82-31-432-9772 FAX : +82-31-432-9745

**Seoul Office** : 11dong-113ho, Siheung Circulation Center 984, Siheung3-Dong  
Kumchon-Gu, Seoul, Korea.

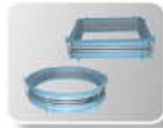
TEL : +82-2-892-7574 FAX : +82-2-895-2281

**Gwangju Office** : 16-24, Yoo-Dong, Buk-Gu, Gwangju-City, Korea.

TEL : +82-62-514-1511~2 FAX : +82-62-514-1513

<http://www.yjflex.com>

E-mail: [yjflex@yjflex.com](mailto:yjflex@yjflex.com)







## *Product Specifications (Flexible Sprinkler Hose)*



- 1. Flexible Sprinkler Hose  
TK - SPJ - C / SPJ - A ..... 32
- 2. Flexible Metal Tube  
TKC - 25JSD ..... 34
- 3. Side Glass Union  
TKSCU - 25 ..... 36
- 4. Braid Type / Unbraid Type
- 5. 700MM/1000MM/1200MM/1500MM/1800MM